

M 36 SX



Portable Magnetic Drilling Machine

M 36 SX is a very compact right angle magnetic drilling machine. Ideal for narrow spaces. The height of only 18 cms makes this machine fit in even the tightest places. An continuous internal coolant system is a standard accessory for this machine. For all available cutting oils.

All our machines can be supplied in 110 Volt as well as in 230 Volt.



Motor power: 1080 Watt

Spindle: 19 mm (3/4") Weldon

Hole cutter / annular cutter short: \varnothing 12 - 36 mm (1-7/16")

RPM: 400 min-1

Stroke: 39 mm (1.54")

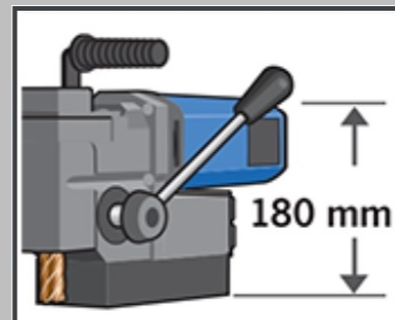
Weight: 11 Kgs (24.2 Lbs)

Magnet: 80 x 160 x 36.5 mm

Compact design - only 180mm high

Standard delivery of Magnetic Drilling Machine M 36 SX contains:

- FE machine with coolant system
- Safety chain
- Pilot pin
- 0,25L cutting oil
- Safety guidelines
- Users manual



MASSARO by **MACKMA**

Via Volla snc 03030

Piedimonte San Germano (FR) Tel. +39 0776 404326 - 403489

Fax +39 0776 403460 info@mackma.com www.mackma.com